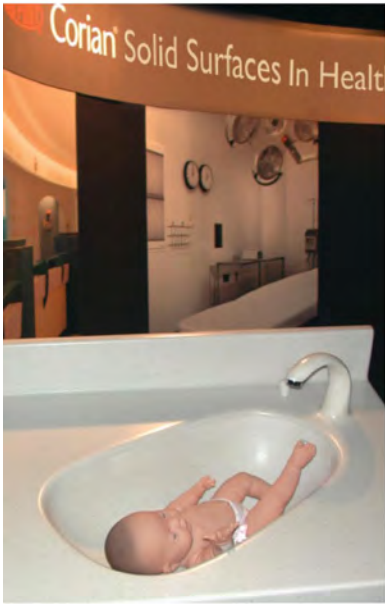


# BABY BATH -

DETERMINED TO IMPROVE YOUR ENVIRONMENT



Of all the areas in your facility that get attention for design detail, safety and usability, it's possible that your birthing suites and natal care units undergo the greatest level of scrutiny. Now you can solve your practical and aesthetic challenges when you choose a form-fitting Griform Innovations® Baby Bath - because ordinary just won't do when it's time to care for your youngest patients.

### CHALLENGES

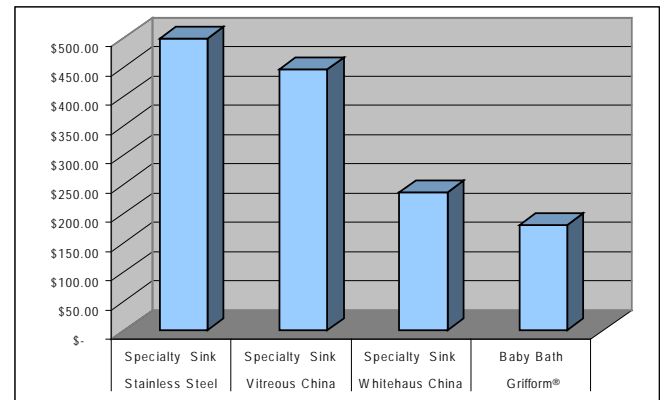
- Finding a baby bath design that naturally and comfortably envelopes the infant's lower body in water, ensuring safety by properly elevating the head and preventing the baby from slipping into deeper water.
- Installing a form-fitting bath that easily holds infants ranging dramatically in size.
- Providing a non-porous and easy-to-clean surface.
- Creating a safe, ergonomic, and comfortable sink for staff to effectively and efficiently work.

### SOLUTION

- The Griform Innovations® Baby Bath available in over 100 pleasing DuPont™ Corian® colors meets all the challenges you face.

### RESULTS

- A beautifully designed bath that is sensitive to an infant's tender needs.
- A bath that safely cradles the infant for its first gentle washes.
- A sculptured form-fitting unit that is appropriate for your carefully designed inviting birthing suites and natal care units.
- An easy-to-clean bath made out of materials that prevent the growth or survival of microorganisms, mold or mildew.
- A seamless, non-porous bath that poses no cracks or fissures that can harbor germs. A smooth, silky surface that's gentle to the touch. A comfortable surface that is temperature neutral; it will not alter water temperature of the drawn bath.
- The durability and renewability you require to keep your space maintained and looking new. A safe, ergonomic, comfortable space for staff to effectively and efficiently work.



### ATTRIBUTED VALUE OF THE GRIFORM® BABY BATH

- Lower maintenance cost
- DuPont™ Corian® can help earn points for LEED program
- Easy installation
- Extended life cycle
- Mounts under any countertop material



Griform Innovations®

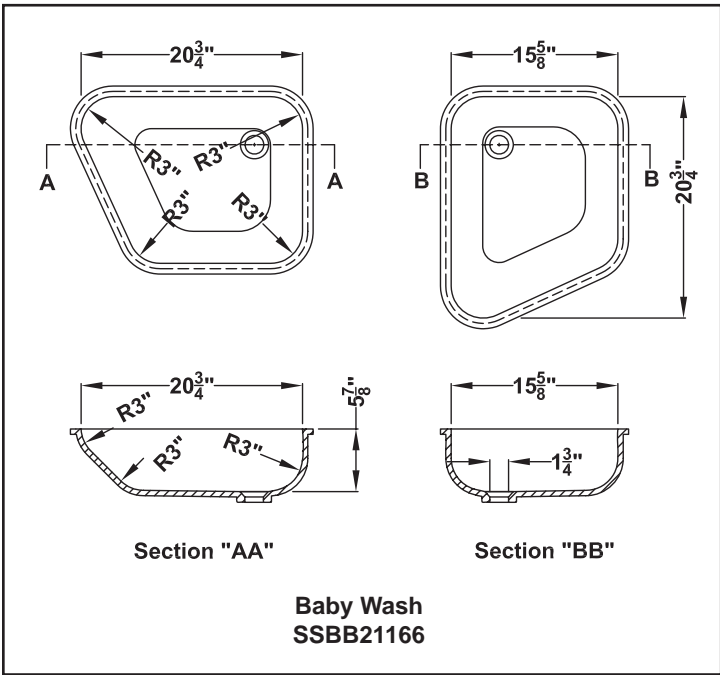
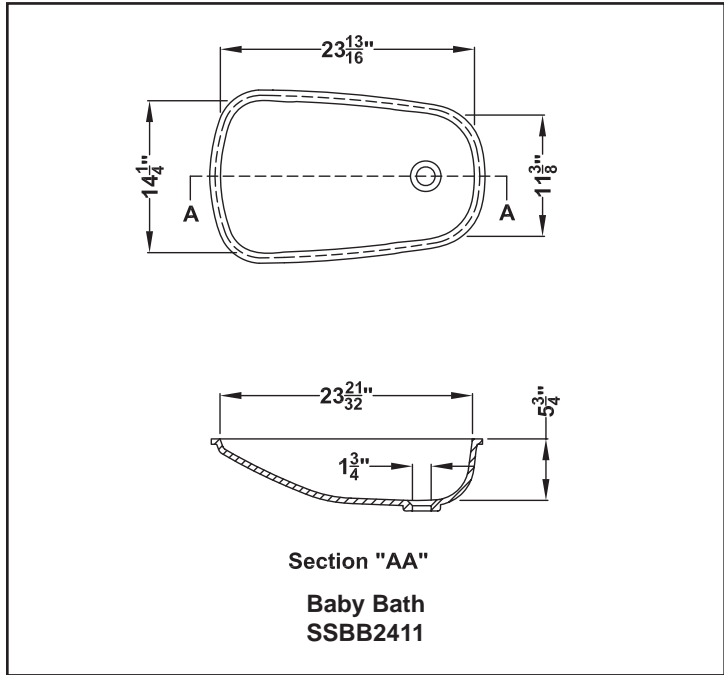
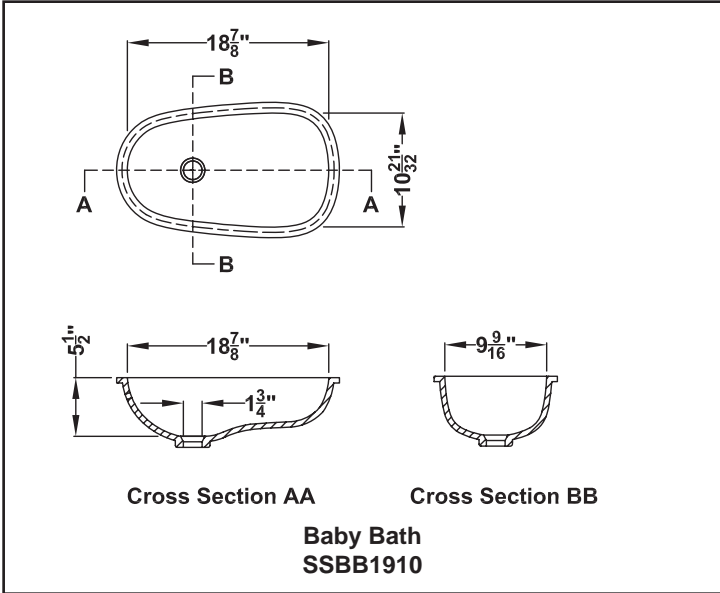
Baby Bath -

Determined to improve your environment.

Griform Innovations® offers you a beautiful solution to the tough challenge of creating durable and safe environments that meet the rigorous demands of healthcare. Our baby bath's sculptured, organic design is perfectly at home in today's comfortable and inviting birthing facilities and still offers the durability and ease of use your staff demands. The Griform Innovations® Baby Bath is made of DuPont™ Corian® the perfect surface for healthcare.

The perfect surface for healthcare:

- Non-porous
- Easy to clean
- Durable
- Stain resistant
- No off-gassing or VOCs
- Code compliant
- Available in many colors



All drain holes are nominally 1 3/4" in diameter and accept all standard drain hardware, including waste overflow units if required.

**Griform Innovations® In Healthcare**

Griform® offers nearly a hundred healthcare-related products. Each is designed to solve a specific challenge or problem. Please visit our website for additional sink models. Each feature the winning combination of solid surface suitability for healthcare and Griform® innovation.

*All data given herein is believed to be accurate but is presented without guaranty or warranty.*