

# LAVATORY SINKS -

DETERMINED TO IMPROVE YOUR ENVIRONMENT



Griform Innovations® offers a full line of sinks to choose from. From patient room to public rest room, style, color and design are all factors in deciding the best DuPont™ Corian® Lavatory Bowl that meets your healthcare requirements. Integrating a Griform Innovations® bowl into a vanity top made of DuPont™ Corian® solves both practical and aesthetic challenges of the rigorous demands of the healthcare environment.

### CHALLENGES

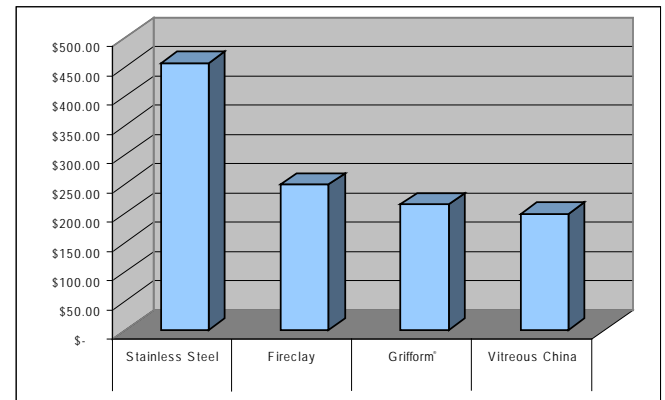
- Monolithic transition from counter into sink bowl.
- Bowl does not harbor the growth of micro organisms.
- Bowl that is easily maintained.
- Wide choice of color and style.
- Easily installed.

### SOLUTION

- Griform Innovations® Lavatory Sinks built from DuPont™ Corian® in wide color choices meet the challenge.

### RESULTS

- Catalog of part numbers with specifications available.
- When applied to a DuPont™ Corian® counter top it makes for a monolithic - seamless design.
- Material is nonporous so it does not support the growth of micro organisms.
- Easily maintained for lasting value.
- Certified plumbing fixture by NAHB research center.



### ATTRIBUTED VALUE OF THE GRIFORM® LAVATORY SINKS

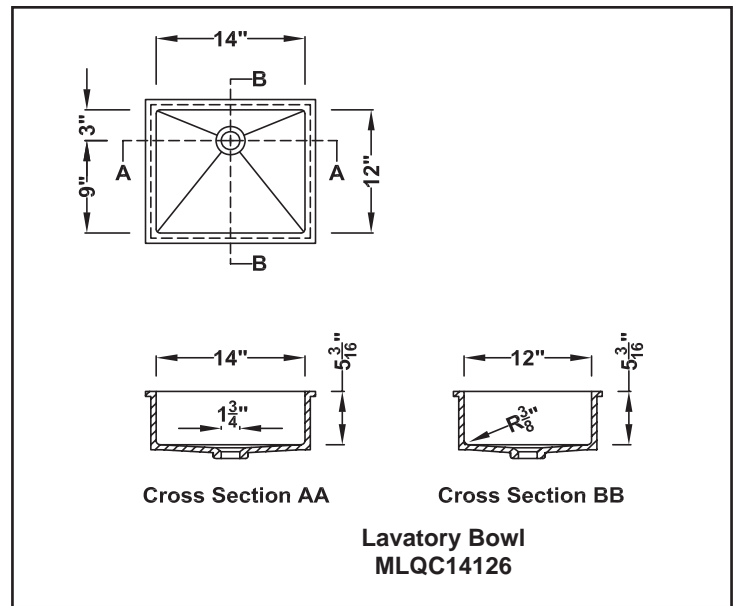
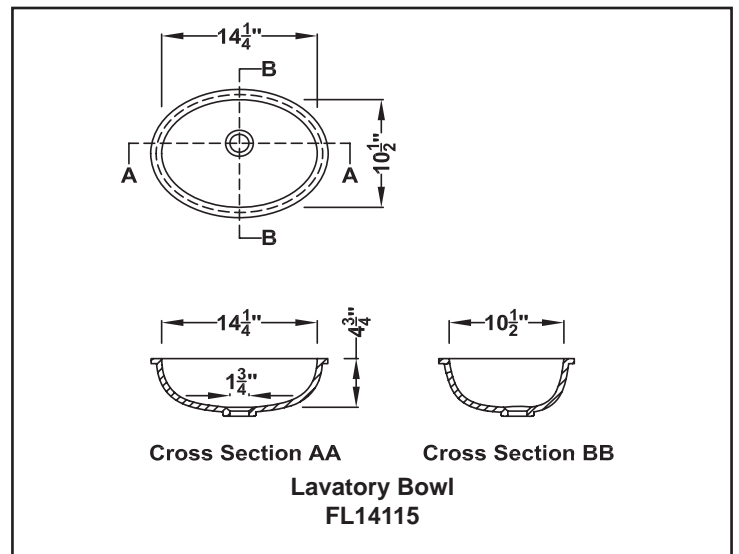
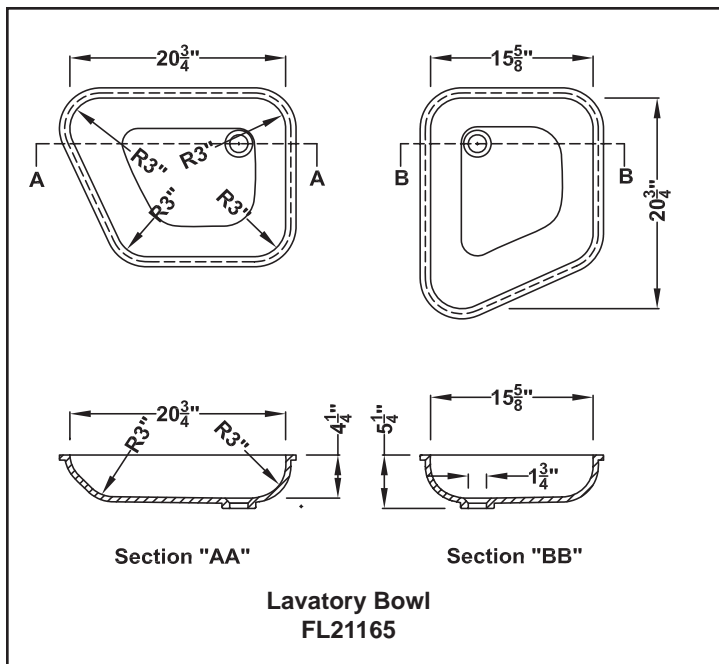
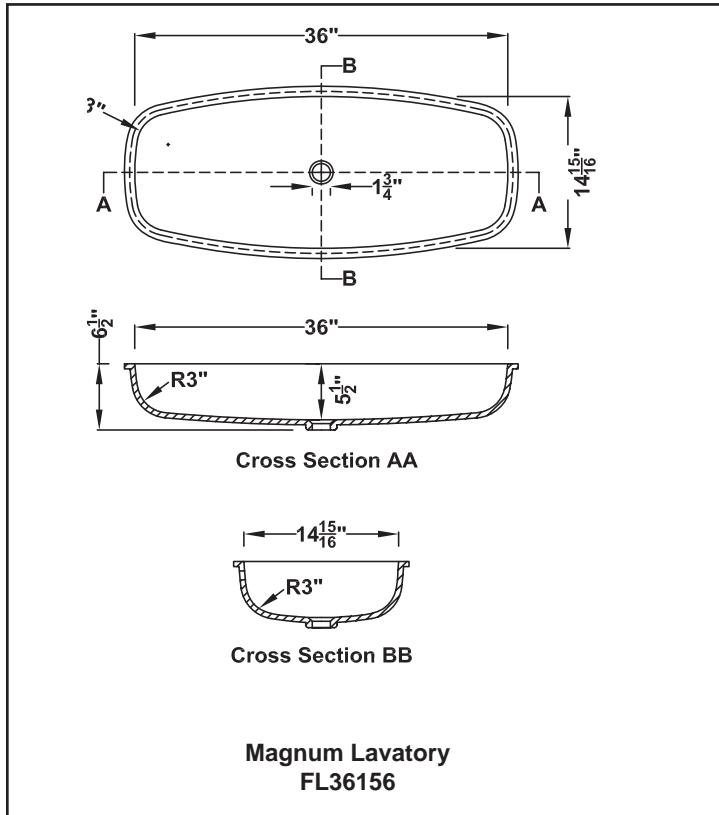
- Custom shapes and sizes available
- Lower maintenance cost
- DuPont™ Corian® can help earn points for LEED program
- Easy installation
- Extended life cycle



Griform Innovations®  
 Lavatory Sinks -  
 Determined to improve your environment.

Griform Innovations® has developed many style options of lavatory bowls. These bowls are prepared for ease of installation. All drain holes are nominally 1 3/4" in diameter and accept all standard drain hardware, including waste overflow units.

**Examples of Some Specialty Applications**



*Griform Innovations® In Healthcare*

Griform® offers nearly a hundred healthcare-related products. Each is designed to solve a specific challenge or problem. Please visit our web-site for additional sink models. Each feature the winning combination of solid surface suitability for healthcare and Griform® innovation.

*All data given herein is believed to be accurate but is presented without guaranty or warranty.*