

SHOWER WALLS -

DETERMINED TO IMPROVE YOUR ENVIRONMENT



The shower area is always in need of conscientious scrubbing for cleanliness. Shower walls made by Grifform Innovations® offer a solution to water damage caused when using tile and grout for shower walls. The Grifform® Shower Walls built using DuPont™ Corian® feature durable and renewable surfaces.

CHALLENGES

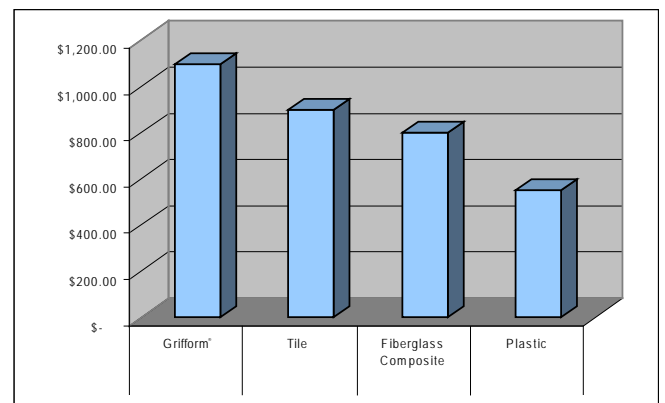
- Find shower walls that do not have grout with all the potential for water damage and which harbor micro organisms and bacteria.
- Provide nonporous, easy to clean surface

SOLUTION

- Grifform Innovations® Shower Wall Systems with tongue and groove joints offer a solution for the challenges faced with traditional shower stalls.

RESULTS

- Catalog of standard two or three shower wall kits.
- We build custom walls for your individual requirement.
- Made of 1/4" Dupont™ Corian® panels that are tongue and grooved seamed for added stability.
- An easy to clean shower wall that will help inhibit the growth of mildew, mold or other microorganisms.
- Durable and renewable to keep the shower space looking like new.



ATTRIBUTED VALUE OF THE GRIFform® SHOWER WALLS

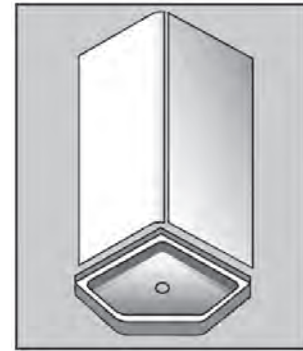
- Does not foster growth of microorganisms, mold or mildew
- Lower maintenance cost
- Dupont™ Corian® can help earn points for LEED program
- Easy installation
- Extended life cycle
- No grout issues or porosity
- Class 1/A fire rated
- Custom sizes available



Grifform Innovations®
Shower Walls -
 Determined to improve your environment.

Grifform Innovations® Shower Walls are made of DuPont™ Corian®. Not all solid surface materials in the market place today are 100% acrylic with the aluminum tri-hydrate and polymer components. DuPont™ Corian® meets the requirements for AIA 2006 Surface Standard. It is Class 1 (A) fire-rated and virtually has no off-gassing or VOC's. DuPont™ Corian® features non-porous stain and heat resistant qualities with the color and pattern through the entire sheet. The care and maintenance is an added feature with regard for ease of sanitation and cross contamination concerns.

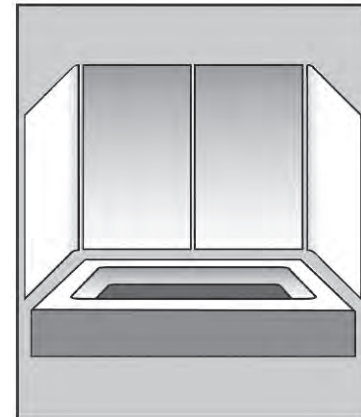
Expensive wall replacement due to the failure of traditional tile & grout is no longer an issue when using DuPont™ Corian® Shower Walls by Grifform Innovations®. Standard wall heights are 72", 96" or custom heights are available upon request. You may order cove wall or straight wall styles. Ease of installation in combination with our shower bases makes this a functional and stylish shower system. If a standard size or color does not meet your requirements check with us for custom walls using ½" material.



2 Wall Shower Kit



3 Wall Shower Kit



3 Wall Tub Kit

2 Wall Shower Kit			
72" High	Model #	96" High	Model #
36" x 36"	2SW363672	36" x 36"	2SW363696
38" x 38"	2SW383872	38" x 38"	2SW383896
42" x 42"	2SW424272	42" x 42"	2SW424296

3 Wall Shower Kit			
72" High	Model #	96" High	Model #
34" x 34"	3SW3343472	34" x 34"	3SW343496
36" x 36"	3SW363672	36" x 36"	3SW363696
36" x 48"	3SW364872	36" x 48"	3SW364896
36" x 60"	3SW366072	36" x 60"	3SW366096
42" x 42"	3SW424272	42" x 42"	3SW424296

3 Wall Tub Kit			
60" High	Model #	72" High	Model #
32" x 60"	3TR326060	32" x 60"	3TR326072
34" x 60"	3TR346060	34" x 60"	3TR346072

Grifform Innovations® In Healthcare

Grifform® offers nearly a hundred healthcare-related products. Each is designed to solve a specific challenge or problem. Of the many products we offer, pay particular attention to the Grifform Innovations® Shower Pans. Each feature the winning combination of solid surface suitability for healthcare and Grifform® innovation.

All data given herein is believed to be accurate but is presented without guaranty or warranty.