

BATHROOM ACCESSORIES -

DETERMINED TO IMPROVE YOUR ENVIRONMENT



Grifform Innovations® Bathroom Accessories offer a wide array of options to compliment your individual needs. Combining form and design with a large pallet of color we are able to service the healthcare environment with products that are easily maintained by your staff.

CHALLENGES

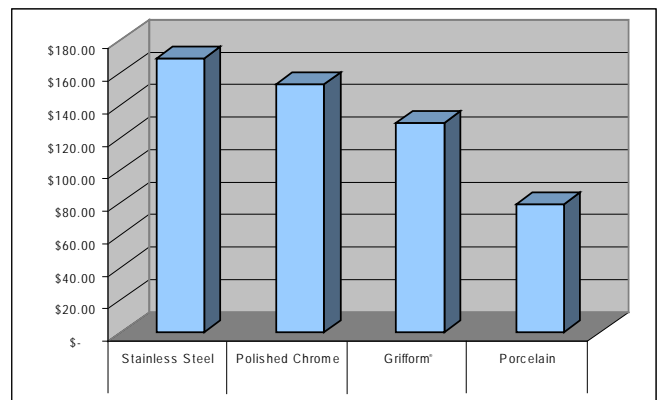
- Wide array of color choices.
- Ease of installation.
- Doesn't promote bacteria growth.

SOLUTION

- Grifform Innovations® accessories available in wide array of size and color options meets all the challenges you face.

RESULTS

- Order from our catalog by part number and specify DuPont™ Corian® color choice.
- Installation guide and templates provided per part specified.
- Clean durable accessory part that enhances your project, especially when used with Grifform Innovations® Shower Walls and/or Shower Base system.
- Easily maintained by housekeeping staff.
- A nonporous accessory that does not foster growth of microorganisms, mold or mildew.
- Accessorize your beautiful, functional shower space for years of use.



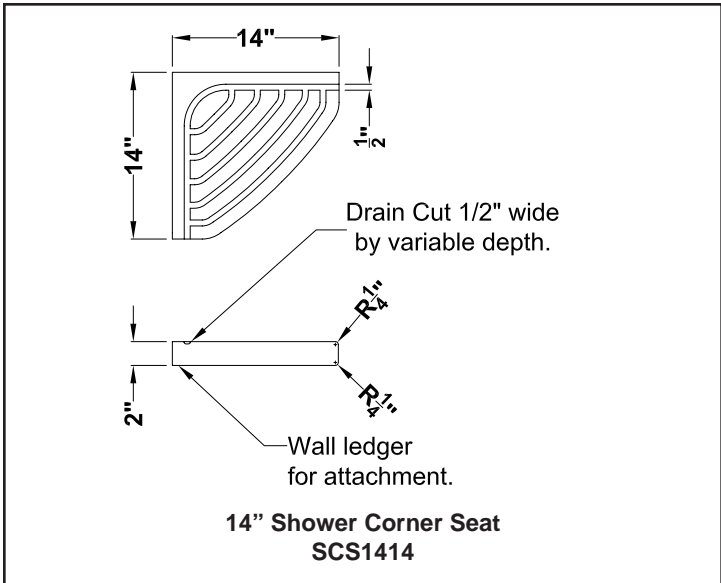
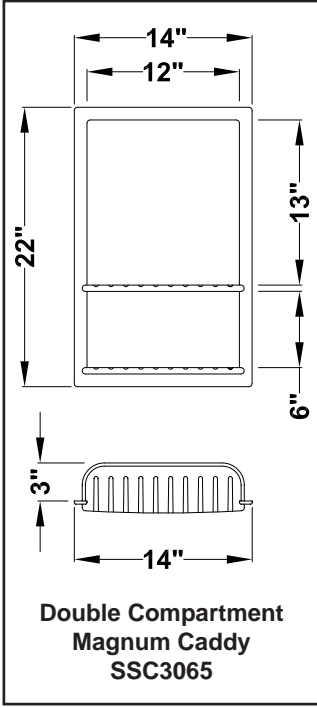
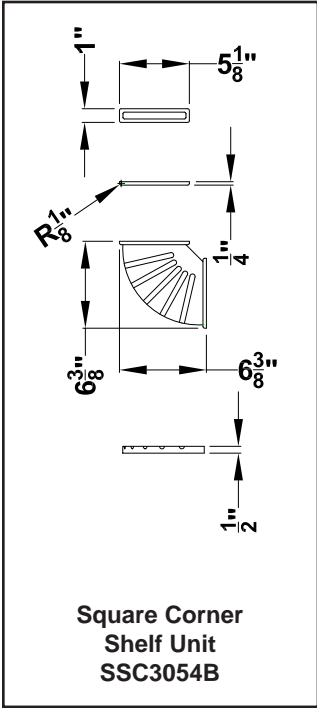
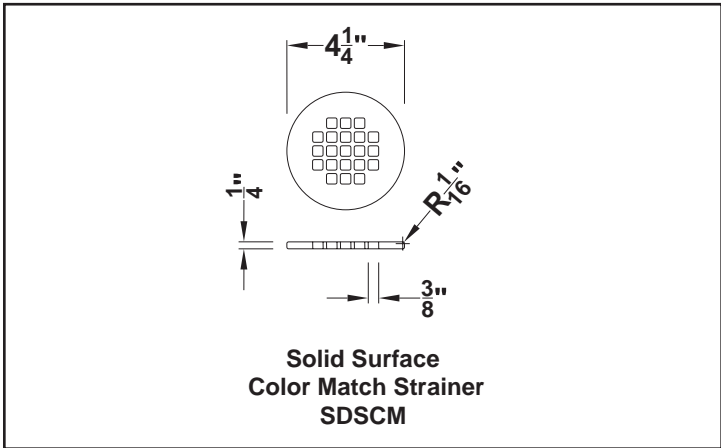
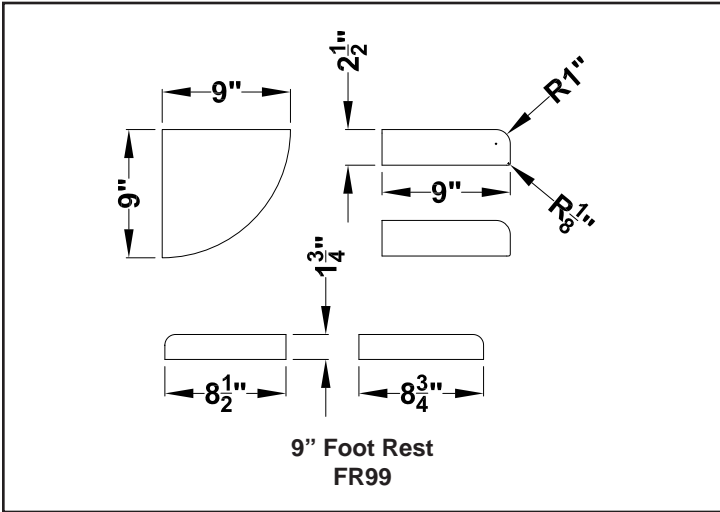
ATTRIBUTED VALUE OF THE GRIFform® SHOWER CADDIES

- Lower maintenance cost
- DuPont™ Corian® can help earn points for LEED program
- Easy installation
- Extended life cycle
- Class 1/A fire rated



Griform Innovations®
 Bathroom Accessories -
 Determined to improve your environment.

Griform Innovations® offers you a beautiful solution to the tough challenge of creating durable and safe environments that meet the rigorous demands of healthcare. Our Shower Caddies made of DuPont™ Corian® are available in numerous sizes and options to accommodate a wide array of customer need. The ability to install with the Shower Wall System makes this an ideal choice to finish the shower compartment with storage capacity. With self draining soap shelf, and shelf height and width options make Griform Innovations® Shower Caddies a popular feature. Our solid surface strainers allow the drain strainer to match the floor making it blend right into the unit. These strainers glue into the drain assembly and are only available if purchased with the shower base and is a dye lot component. For ease of ordering, we have a cataloged standard parts list. Our shower corner seat is easily installed and maintained. It is temperature neutral - does not transfer heat or cold. Our Foot Rest is built of 1/4" DuPont™ Corian® material and is made to be scribe fit to the corner by sanding. A ledger is provided and is intended for gluing to the wall under the accessory.



Griform Innovations® In Healthcare

Griform® offers nearly a hundred healthcare-related products. Each is designed to solve a specific challenge or problem. Of the many products we offer, pay particular attention to the Griform Innovations® Shower Walls. Each feature the winning combination of solid surface suitability for healthcare and Griform® innovation.

All data given herein is believed to be accurate but is presented without guaranty or warranty.