

FAUCET STEM -

DETERMINED TO IMPROVE YOUR ENVIRONMENT



Today, with new regulations and emphasis on controlling the spread of infectious disease and other contaminants, sanitation is more important in the health care environment than ever. Look to Grifform Innovations® when you search for a durable, beautiful solution to sanitizing all aspects of your facility. For example, consider the Grifform Innovations® Faucet Stem made of acrylic solid surface material.

CHALLENGES

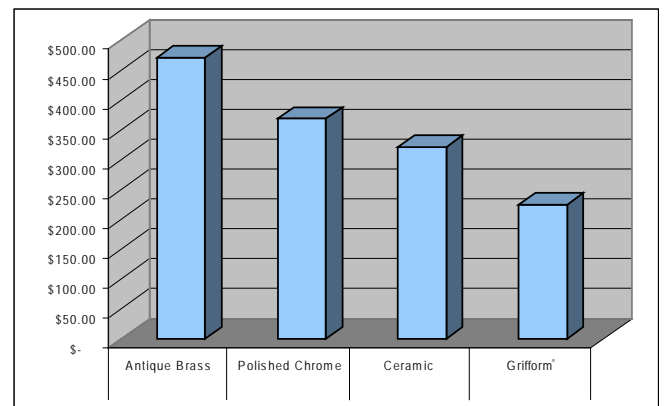
- Finding a faucet stem that eliminates seams where microorganisms can survive and multiply.
- Identifying a faucet stem that is seamlessly mounted to a solid surface countertop and will compliment or match DuPont™ Corian®.
- Choosing a faucet stem that is easily installed, repaired and maintained.
- Selecting a faucet stem that can be mounted in any location - not just those designed and specified by the sink manufacturer.
- Maintaining design consistency with focus on warm and inviting facilities and surroundings.

SOLUTION

- The Grifform Innovations® Faucet Stem is available in 8 pleasing colors meets all the challenges you face.

RESULTS

- A seamless faucet stem made of a nonporous material to eliminate opportunities for microorganisms to survive.
- A faucet stem that is mounted directly into the countertop in any location you require.
- A beautiful, solid and durable faucet stem that enables you to match or complement the décor or existing fixtures.
- An easy-care, durable fixture that's simple to install and maintain.
- A product that meets and exceeds the stringent ASME Standards.



ATTRIBUTED VALUE OF THE GRIFform® FAUCET STEM

- Works with most water flow controls
- Lower maintenance cost
- Easy installation
- Extended life cycle
- Seamless connection mount



Griform Innovations®
Seamless Solid Surface Faucet Stem -
Determined to improve your environment.

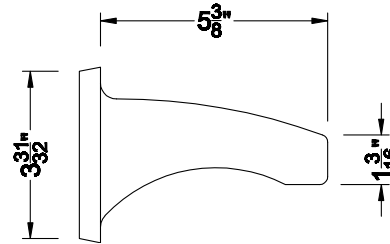
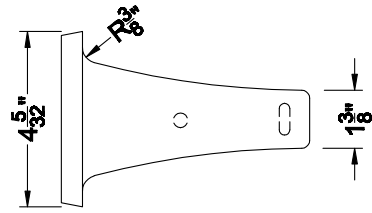
Griform Innovations® offers you a beautiful solution to the tough challenge of creating durable and safe environments that meet the rigorous demands of healthcare. Our Faucet Stem's sculptured design is perfectly at home in today's comfortable and inviting healthcare environments. Yet it still offers the durability and maintenance ease you demand.

Features include:

- Direct mount to the countertop
- Seamless at connection point - no seams that harbor bacteria and microorganisms.
- Non-porous, durable stain resistant surface
- Renewable - easy to repair surface
- 8 DuPont™ Corian® colors
- Easy bevel-mounted system
- Limitless options for mounting location
- Easy to clean

The perfect surface for healthcare:

- Non-porous
- Easy to clean
- Durable
- Stain resistant
- No off-gassing or VOCs
- Code compliant

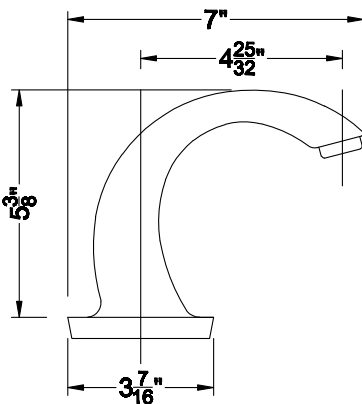


Wall Mounted Faucet Stem

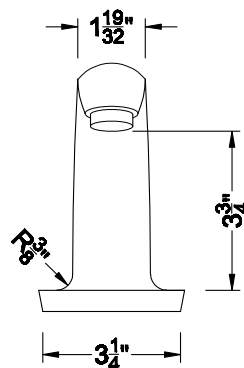
The Griform Innovations® Faucet Stem lends itself to customized configurations as it can be placed on the countertop at any convenient location. It can match or be a complementary color depending on your design choices. The faucet is designed to be used with a foot or motion sensor valve for hands free application. Other types of handles and valves can also be used as design demands require. The faucet is bevel mounted for integral installation into adjacent surface

Standard Colors Offered Are:

Aurora, Bisque, Cameo White, Glacier White,
Linen, Pearl Gray, Sandstone, Vanilla



**Faucet Stem
SSST1**



Griform Innovations® In Healthcare

Griform® offers nearly a hundred healthcare-related products. Each is designed to solve a specific challenge or problem. Please visit our website to view Griform Innovations® sink models. Each feature the winning combination of solid surface suitability for healthcare and Griform® innovation.

OTHER GRIFORM INNOVATIONS® PRODUCTS

- | | |
|----------------|-----------------------|
| • Baby Baths | • Shower Pans |
| • Shower Pans | • Thresholds |
| • Baseboards | • Privacy Partitions |
| • Kick Plates | • Donor Boards |
| • Hand Rails | • Way Finding |
| • Tables | • Caddies |
| • Sinks | • Switch Plate Covers |
| • Shower Walls | • Colorfil |

*All data given herein is believed to be accurate
but is presented without guaranty or warranty.*