

HAND RAILS/WALL GUARDS -

DETERMINED TO IMPROVE YOUR ENVIRONMENT



Grifform Innovations® offers Handrails and Wall Guards in two styles. The beauty of DuPont™ Corian® is thermoformed into a comfortable and aesthetically pleasing handrail system. Years of lasting beauty, durability, and renewability makes this a practical investment for your healthcare facility.

CHALLENGES

- An easy to install handrail system.
- Durable, clean finish.
- Minimal maintenance required.
- Easy to clean surface with no shrink back of vinyl.

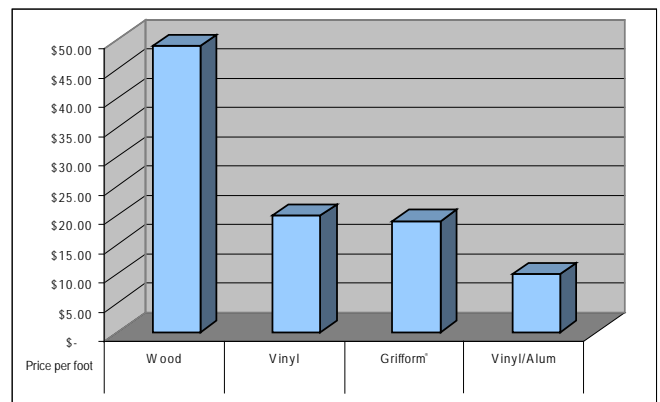


SOLUTION

- The Grifform Innovations® Handrail System available in 1/4" DuPont™ Corian® meets all the challenges you face.

RESULTS

- 1/4" DuPont™ Corian® thermoformed in two styles for smooth, inviting touch and aesthetically pleasing design.
- Integrates well with Grifform Innovations® DuPont™ Corian® Wallcladding System.
- Clean, durable, easily maintained.
- Parts list available for end caps and miter corner components.
- Designed for ease of installation.



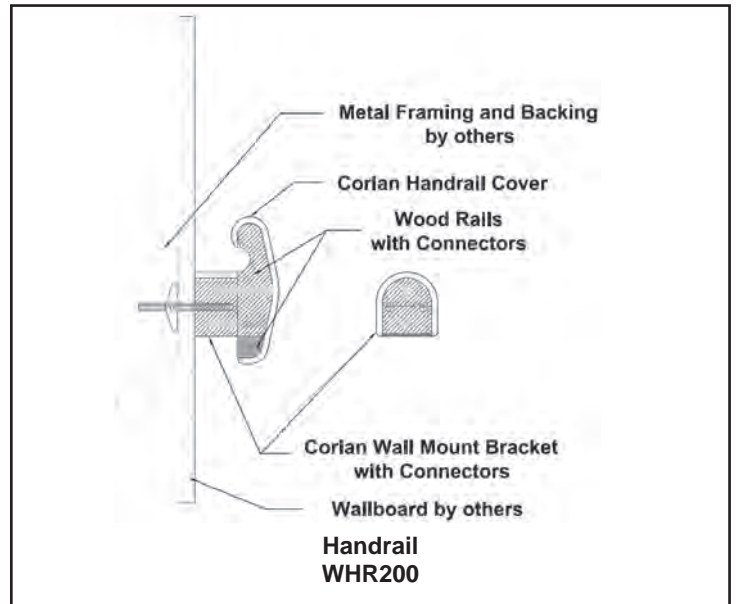
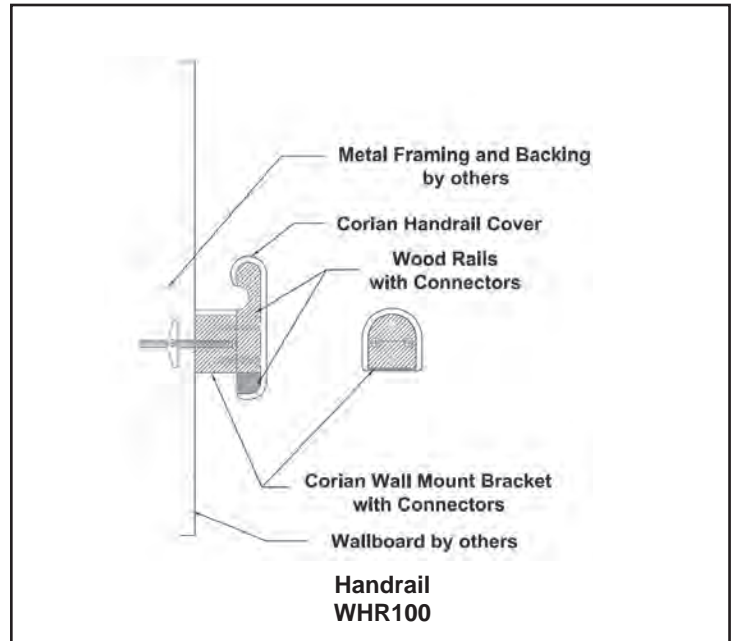
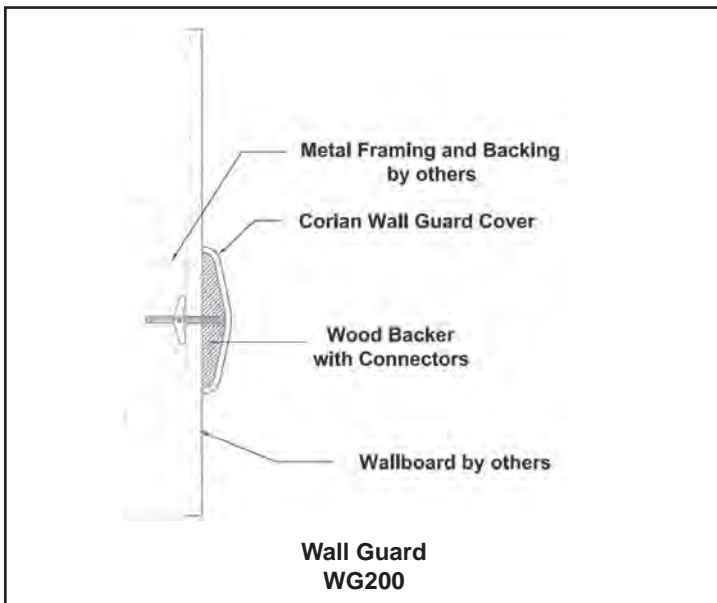
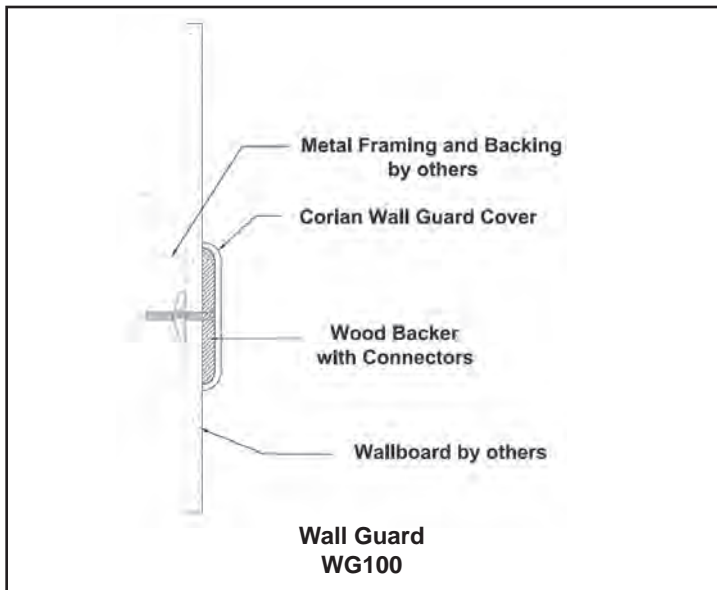
ATTRIBUTED VALUE OF THE GRIFform® HAND RAILS

- Continuous application
- Nonporous and does not foster growth of microorganisms
- Lower maintenance cost
- DuPont™ Corian® can help earn points for LEED program
- Easy installation
- Extended life cycle
- Class 1/A fire rated



Grifform Innovations®
Hand Rails/Wall Guards -
Determined to improve your environment.

Grifform Innovations® offers Handrails & Wall Guards of 1/4" DuPont™ Corian®. Available in two thermoformed styles. The DuPont™ Corian® cover is applied over a sealed wood backer substrate with connectors. Our handrail/wall guard system has been designed for ease of installation in the field, using traditional installation methods. There are end caps and miter corner components and hardware available. Field seaming may be required for a seamless application. The ease of care and maintenance and the warm, inviting touch add to the aesthetically pleasing features of Grifform Innovations® Handrail & Wall Guard Systems. There is a parts list to refer to for ease in ordering.



Grifform Innovations® In Healthcare

Grifform® offers nearly a hundred healthcare-related products. Each is designed to solve a specific challenge or problem. Of the many products we offer, pay particular attention to the Grifform Innovations® Wall Cladding System. Each feature the winning combination of solid surface suitability for healthcare and Grifform® innovation.

*All data given herein is believed to be accurate
but is presented without guaranty or warranty.*