

LABORATORY SINKS -

DETERMINED TO IMPROVE YOUR ENVIRONMENT



For durable renewable sink surfaces in a lab environment Griform Innovations® offers DuPont™ Corian® in a large variety of sizes and colors. Featuring nonporous material makes this an ideal choice in a laboratory environment. The many color options give you the opportunity to maximize the visual beauty of the laboratory sink. DuPont™ Corian® bowls by Griform Innovations® are both durable and renewable surfaces for your laboratory requirements.

CHALLENGES

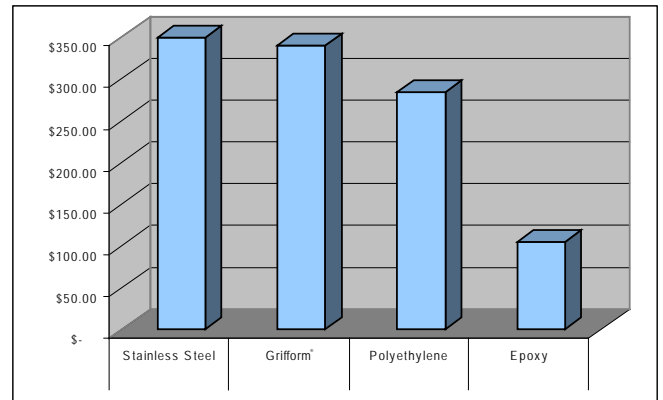
- Deep sink bowls.
- Bowls that don't stain easily.
- Bowls that don't foster bacteria and/or mold growth.
- Variety of color choices.

SOLUTION

- Griform Innovations® Laboratory Sinks developed to address the rigorous demands required in healthcare.

RESULTS

- A wide variety of sink sizes available by part number.
- Color pallet that minimize stain from being visible.
- Renewable surface for ease of care.
- Built of nonporous DuPont™ Corian®.
- When used with DuPont™ Corian® countertop you are able to customize a laboratory space to be both functional and aesthetically pleasing.



ATTRIBUTED VALUE OF THE GRIFORM® LAB SINKS

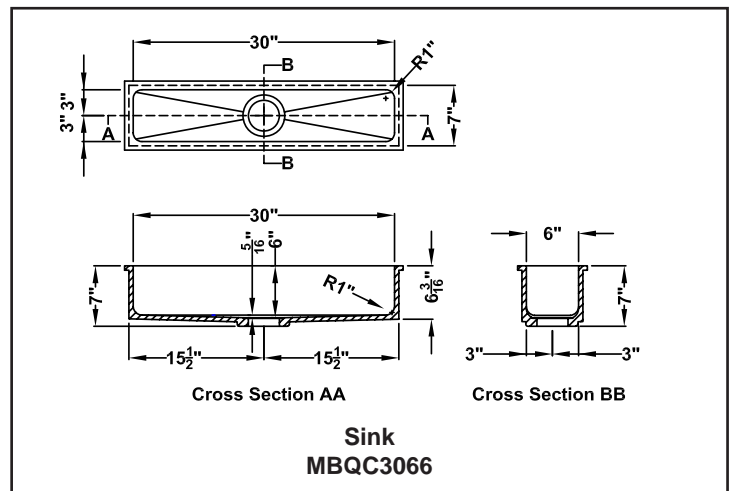
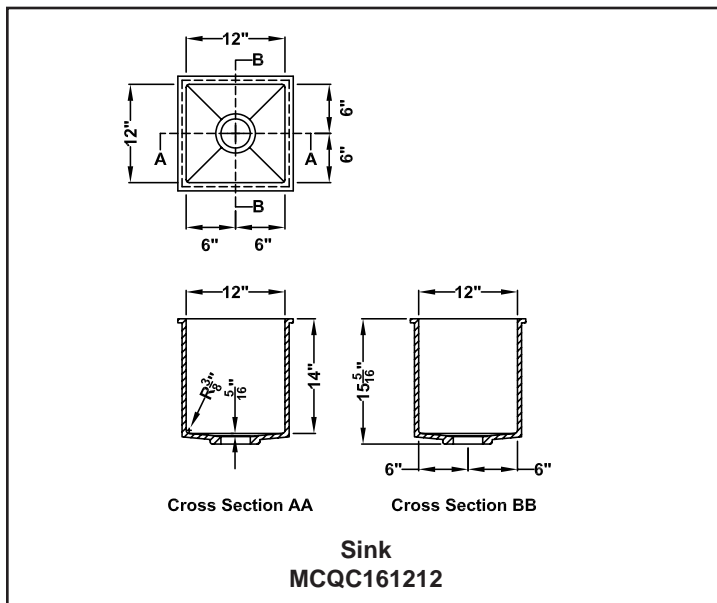
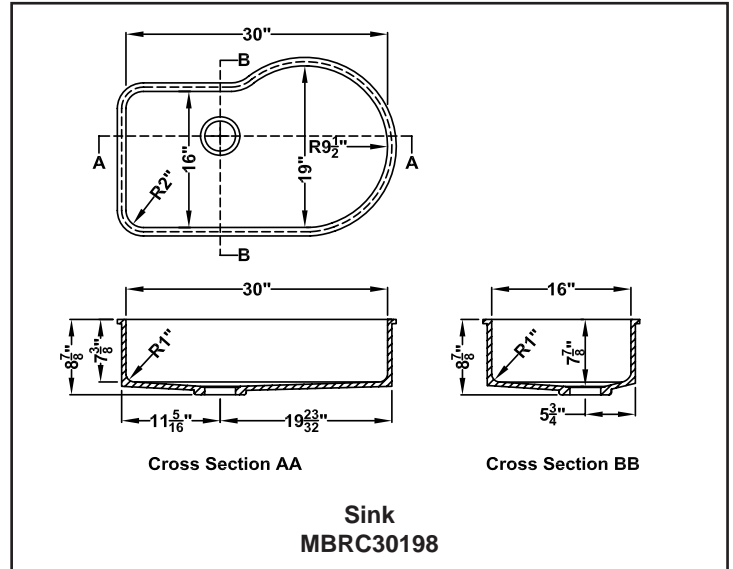
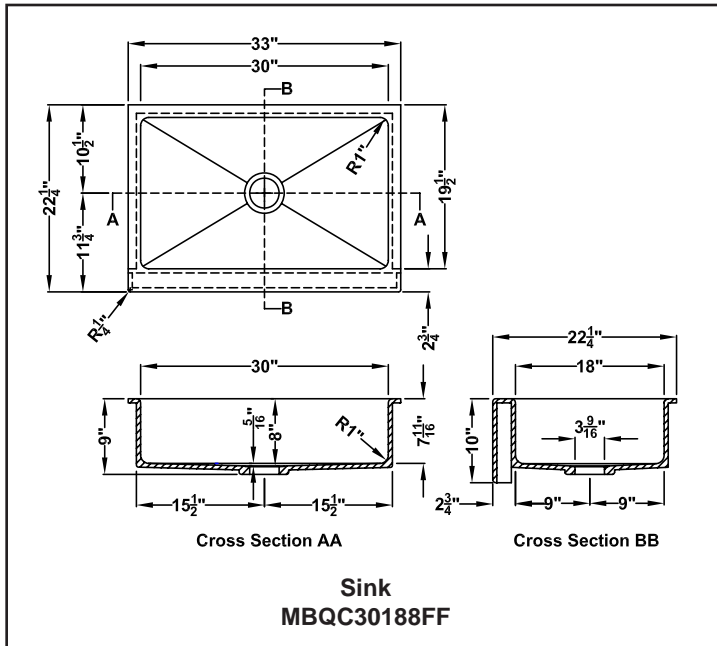
- Made to most industry sizes
- Resistant to common chemicals
- Lower maintenance cost
- DuPont™ Corian® can help earn points for LEED program
- Easy installation
- Extended life cycle
- Mounts under any countertop material
- Custom size and configuration available



Griform Innovations®
 Laboratory Sinks -
 Determined to improve your environment.

Griform Innovations® has developed many style options of Laboratory Sinks. These bowls are prepared for ease of installation. We have sinks when special need for deep bowl applications are required. By adding a no drip front edge on the counter makes this a popular sink that is stain resistant in the laboratory. All of the Griform Innovations® Round Corner Sinks comply to the same rigid standards and can be used equally well.

Examples of Some Specialty Applications



Griform Innovations® In Healthcare

Griform® offers nearly a hundred healthcare-related products. Each is designed to solve a specific challenge or problem. Please visit our web-site for additional sink models. Each feature the winning combination of solid surface suitability for healthcare and Griform® innovation.

All data given herein is believed to be accurate but is presented without guaranty or warranty.