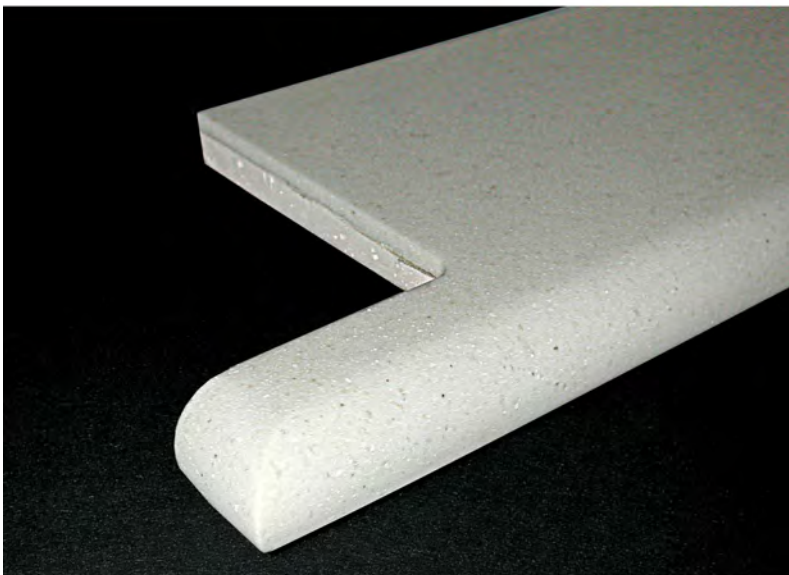


# WINDOW SILLS -

DETERMINED TO IMPROVE YOUR ENVIRONMENT



Griform Innovations® offer a Window Sill System to enhance any room making a functional, durable, easy to clean window sill an asset to your healthcare facility. Often the window sill is used as a shelf for cards or flowers. By featuring DuPont™ Corian® for window sill treatment allows maintenance people to quickly clean and sanitize the sill. The surface meets the AIA 2006 Surface Standards for healthcare.

### CHALLENGES

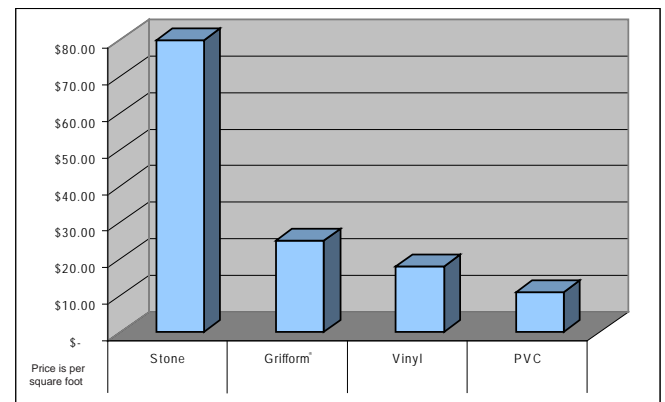
- Window sills that are easily installed.
- Window sills that are easily maintained, that do not sweat with climate condition.
- Adaptable to many window sizes, depths and corner applications.
- Frustration in keeping sills kept clean and in good repair.

### SOLUTION

- The Griform Innovations® Window Sill System offers diverse choices in size, style, and color.
- The Griform Innovations® Window Sill System meets all the challenges you face.

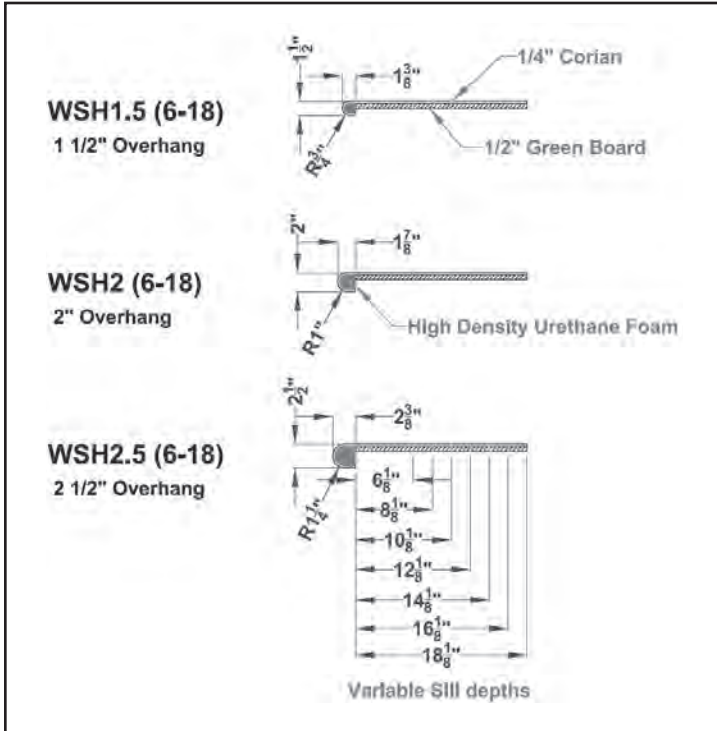
### RESULTS

- Soft Thermoform design in five front edge heights.
- Available in ¼" or ½" DuPont™ Corian®.
- Easily installed with a patent pending installation fixture for radius drywall or square corner application.
- 96" lengths can also be field seamed to desired lengths.
- Easily cleaned and maintained for years of use.
- Parts list in order catalog.



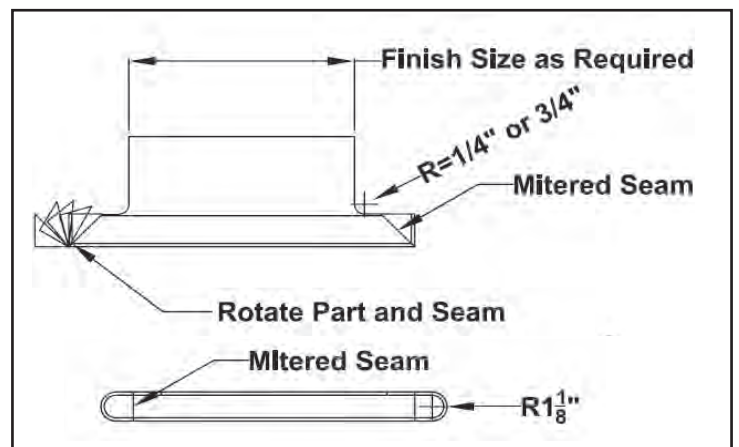
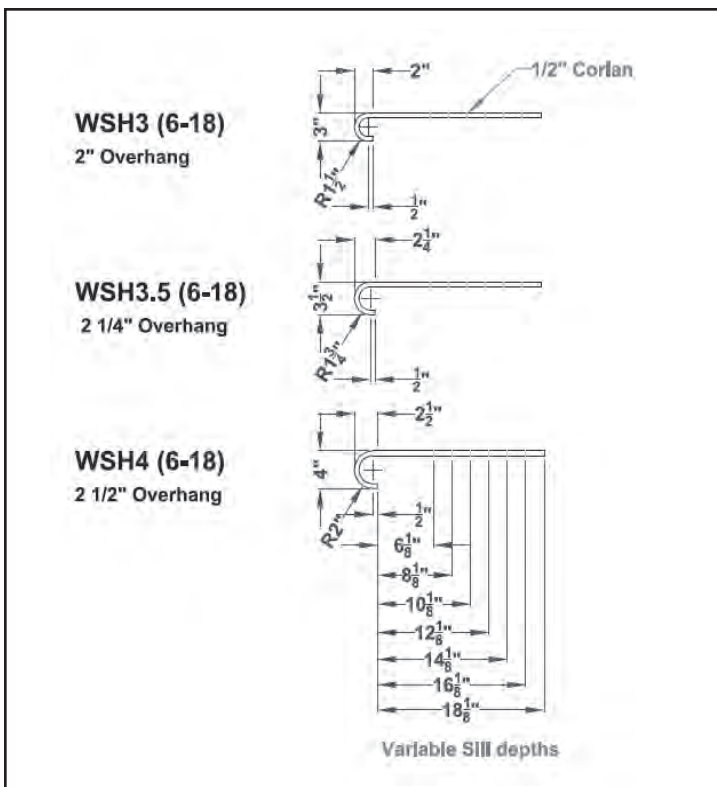
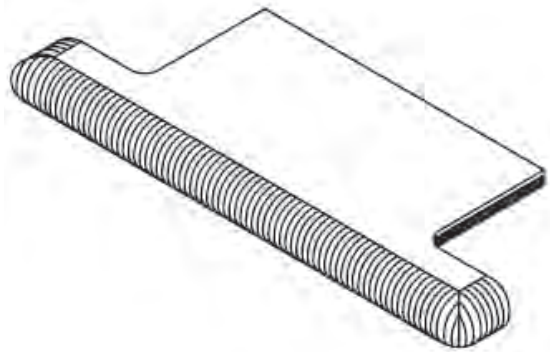
### ATTRIBUTED VALUE OF THE GRIFORM® WINDOW SILLS

- Lower maintenance cost
- DuPont™ Corian® can help earn points for LEED program
- Easy installation
- Extended life cycle
- Class 1/A fire rated
- Water proof nonporous surface



Griform Innovations®  
Window Sills -  
Determined to improve your environment.

Griform Innovations® Window Sill Systems are available in two styles. Our window sills feature a soft thermoform design and come in five radius front edge heights, 1 1/2", 2", 2 1/2", 3", and 4". The depths are in increments of 2" starting at 6" from the front wall face back to the window. Special depths are cut to specifications. We produce 96" lengths using 1/4" or 1/2" material. Our 1/4" sills are prepared with sub-base material and structural foam, factory mounted and ready for fitting. For installation Griform Innovations® Window Sill System has a patent pending Installation Fixture which allows the installer to cut the necessary wing return as required for either 1" radius drywall corners or square corners.



Griform Innovations® In Healthcare

Griform® offers nearly a hundred healthcare-related products. Each is designed to solve a specific challenge or problem. Of the many products we offer, pay particular attention to the Griform Innovations® Switch Plate Covers. Each feature the winning combination of solid surface suitability for healthcare and Griform® innovation.

*All data given herein is believed to be accurate but is presented without guaranty or warranty.*