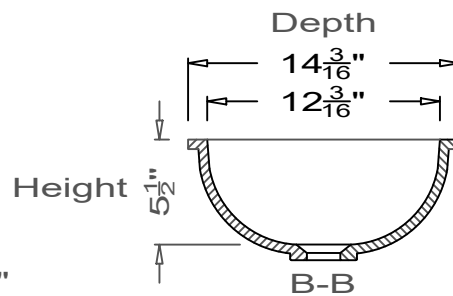
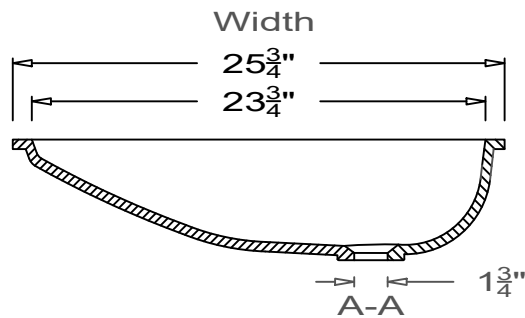
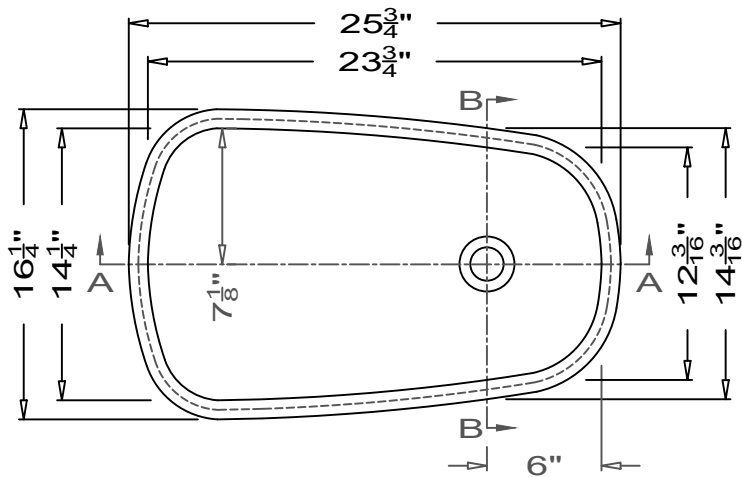


GRIFform INNOVATIONS®

Baby Bath U-Undermount



All drain holes are nominally $1\frac{3}{4}$ " in diameter and accept all standard drain hardware.

GRIFform INNOVATIONS®, Inc. will work to provide our customers with products that meet standard construction practices. By Accepting this Quotation, you agree it is your responsibility to ensure that this order complies with all Plumbing & ADA (American Disability Act) requirements of the local authorities having jurisdiction.

Note: Not all local authorities agree with regard to National ADA guidelines and/or accept varying requirements.

GRIFform INNOVATIONS®

The information herein is the property of GRIFform INNOVATIONS® or its subsidiaries, without written permission, any copying, transmission to others, and any use except that which it is transferred for is prohibited.

GRIFform® Baby Bath - BB2411U