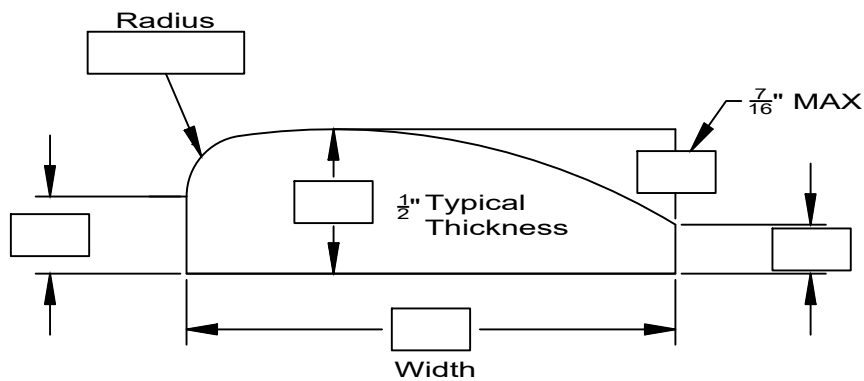
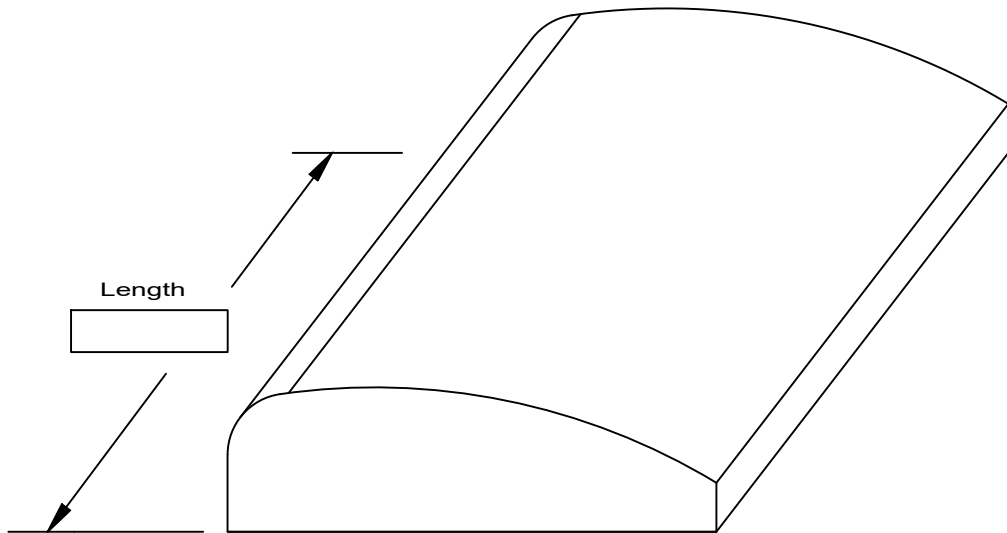


GRIFform INNOVATIONS®

Custom Crown Threshold with Radius



Note: Radius choices available are $\frac{1}{16}$ " , $\frac{1}{8}$ " , $\frac{3}{16}$ " , $\frac{1}{4}$ " , $\frac{5}{16}$ " , and $\frac{3}{8}$ " .

Please write dimensions in boxes above.