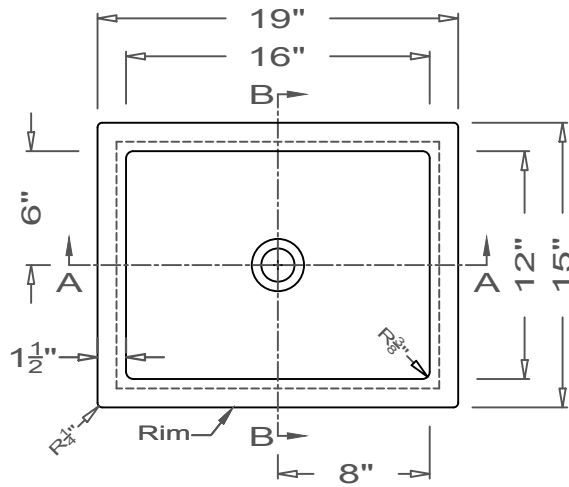


GRIFform INNOVATIONS®

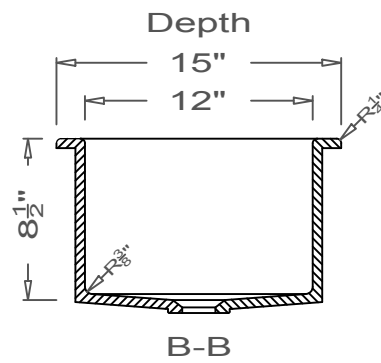
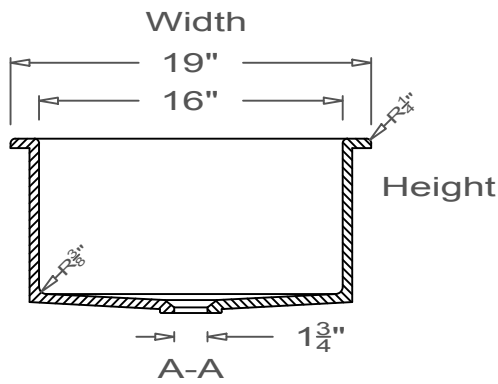
Utility Sink

Coved Corner

O-Overmount



This style available
in Heights
from 3" to 12".



All drain holes are nominally 1 3/4" in diameter and accept all standard drain hardware.