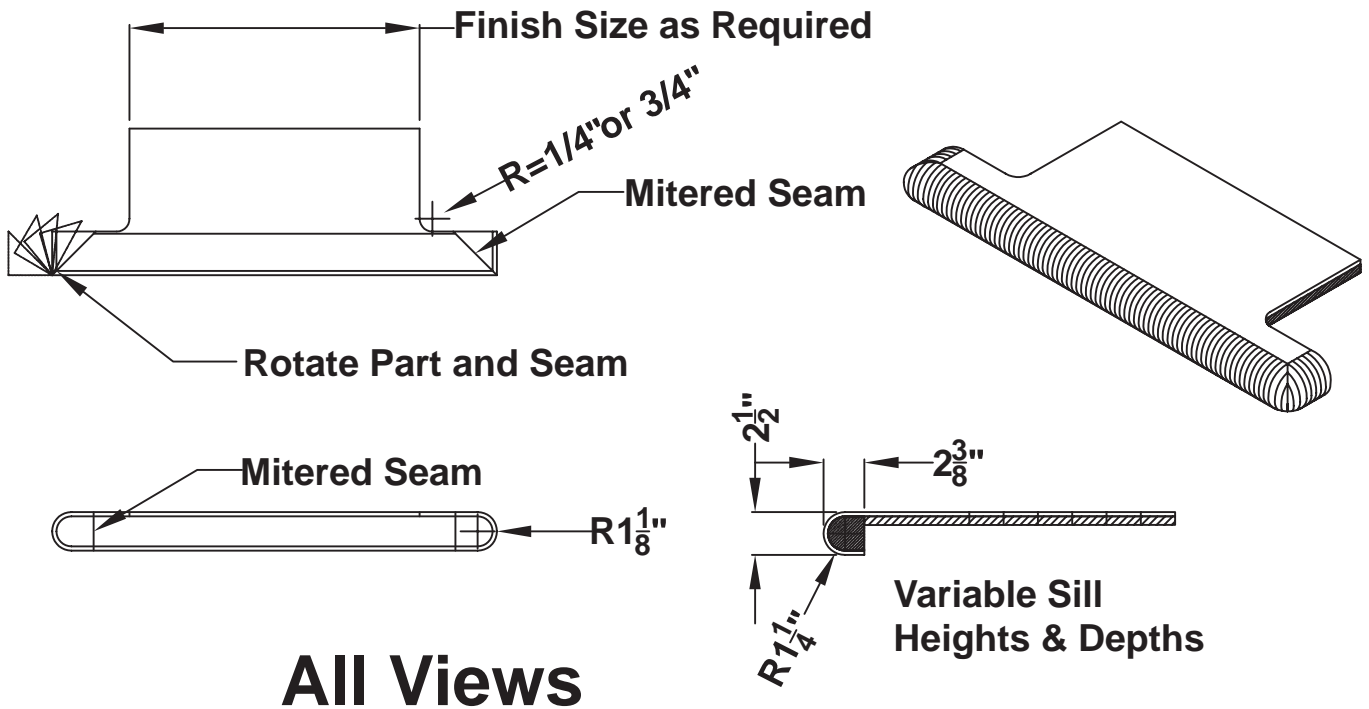


GRIFform INNOVATIONS®

Window Sills



All Views

The product is provided in three radius front edges, 1 1/2" height, 2" height, and 2 1/2" height. The depths are in increments of 2 inches starting at 6" from the front wall face back to the window. Special depths are cut to specification. The Griffform installation fixture allows the operator to cut the necessary wing return as required for either 1" radius drywall corners or square as required. The return is then miter folded and glued to the wing with Corian joint adhesive. After curing, the corners are sanded for a clean seamless appearance and monolithic corner joint. The sills are glued into place with contact adhesive after dry fitting. It is recommended that a slight clearance be provided for possible expansion. Color matched silicone caulking is recommended to seal along all edges.