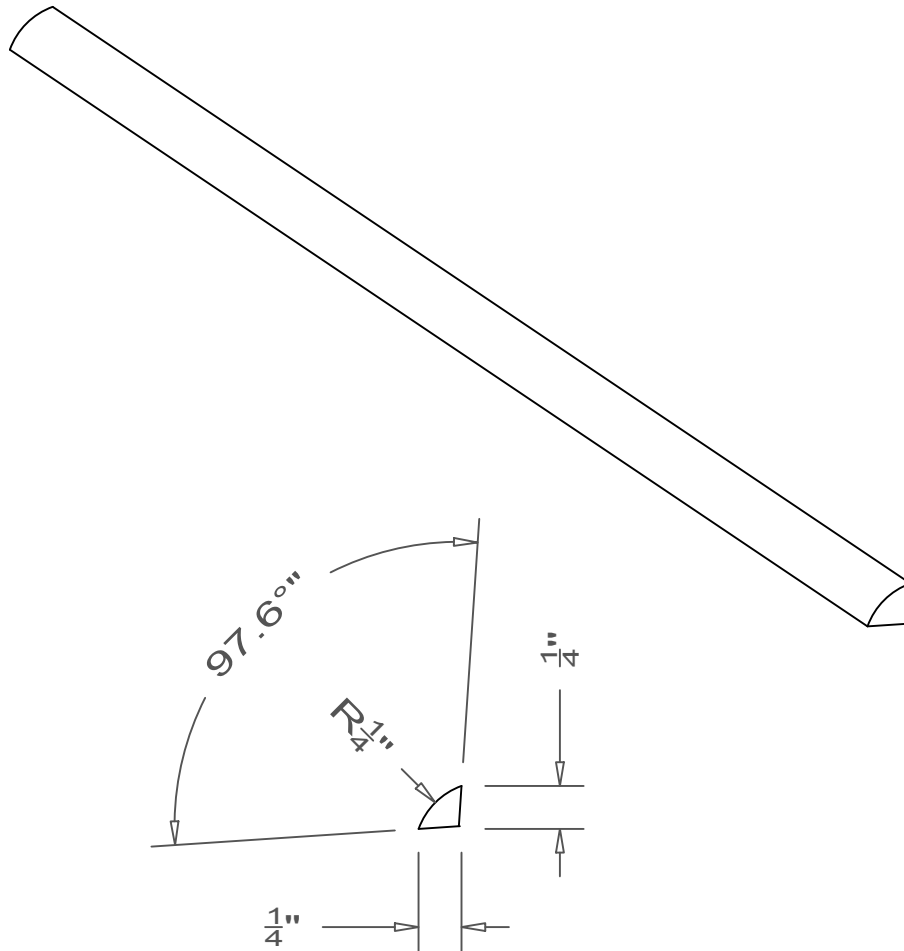


GRIFform INNOVATIONS®

Molding

1/4" Quarter Round



All moldings are available in lengths of 48" and 96".