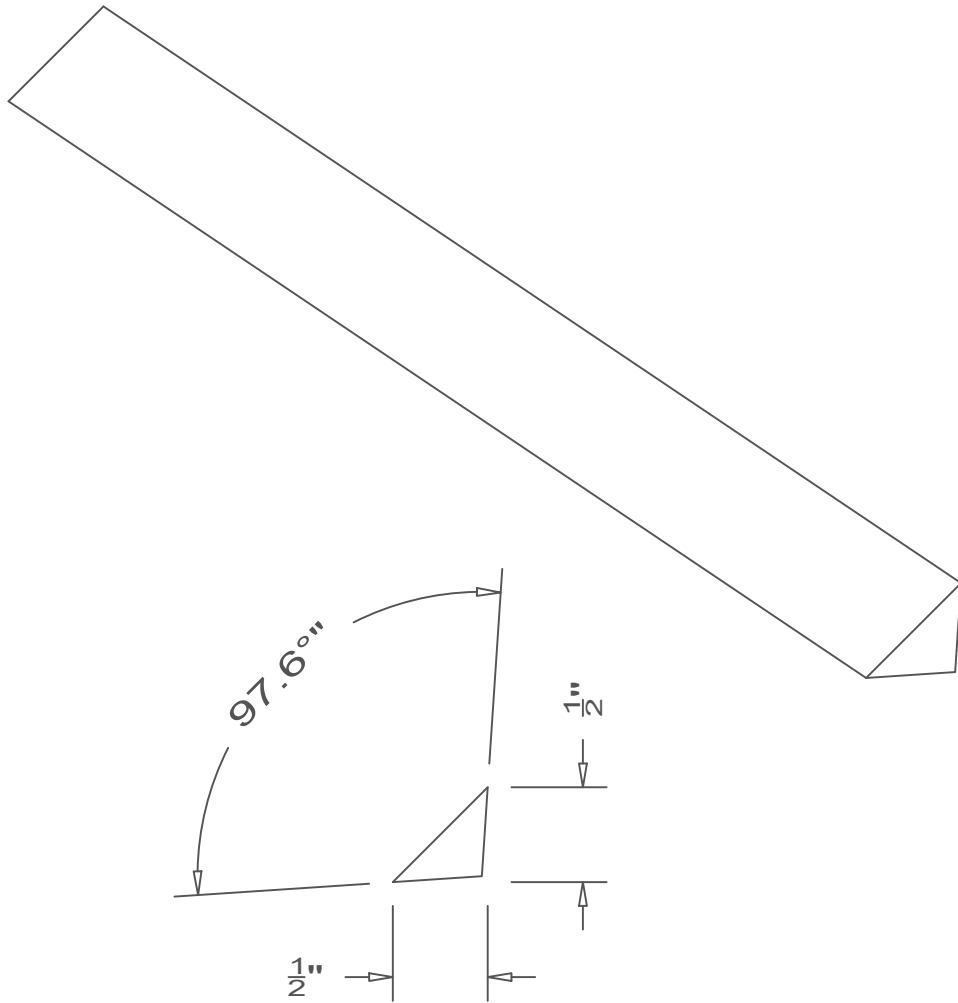


GRIFform INNOVATIONS®

Molding

1/2" Beveled



All moldings are available in lengths of 72" and 96".