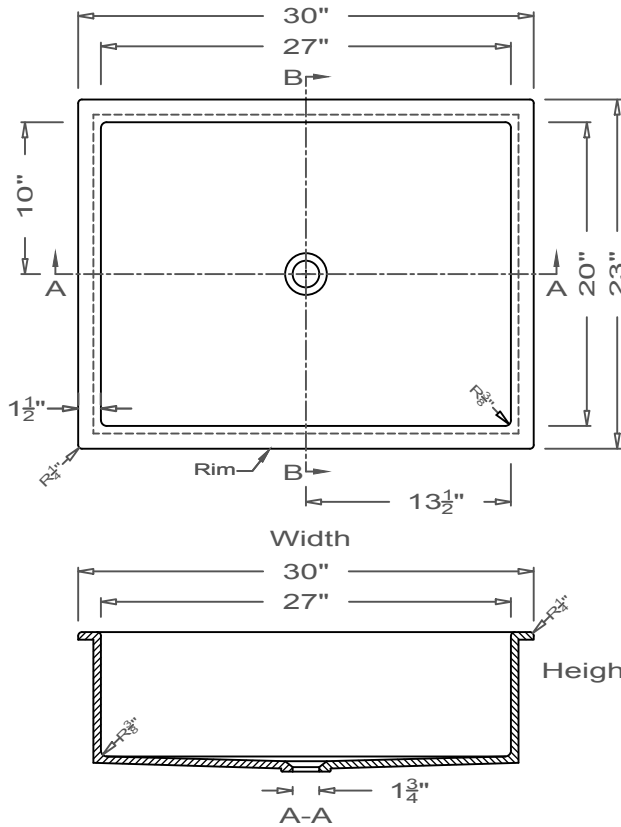


# GRIFform INNOVATIONS®

## Utility Sink Coved Corner O-Overmount



This style available  
in Heights  
from 3" to 12".

All drain holes are nominally 1 3/4" in diameter and accept all standard drain hardware.